



Lil' Guy *User Manual*

Overview

The Creative Arms LLC Lil' Guy is an all titanium rimfire suppressor that has been refined for both high and low pressure rimfire rounds. Subsonic rimfire rounds are notoriously dirty with suppressors, Creative Arms took that into consideration with this suppressor by adding interlocking shoulders

effectively keeping carbon build-up contained within the baffle stack. This makes disassembly of the suppressor quick and user friendly. The baffle stack also includes indexing slots to easily align baffles in the correct direction.

Included

The Lil' Guy comes assembled with:

(1) Entrance Cap 1/2-28TPI

(10) Internal Baffles

(1) External Tube

(1) Exit Cap

Material: Titanium

Approved Calibers:

.22lr

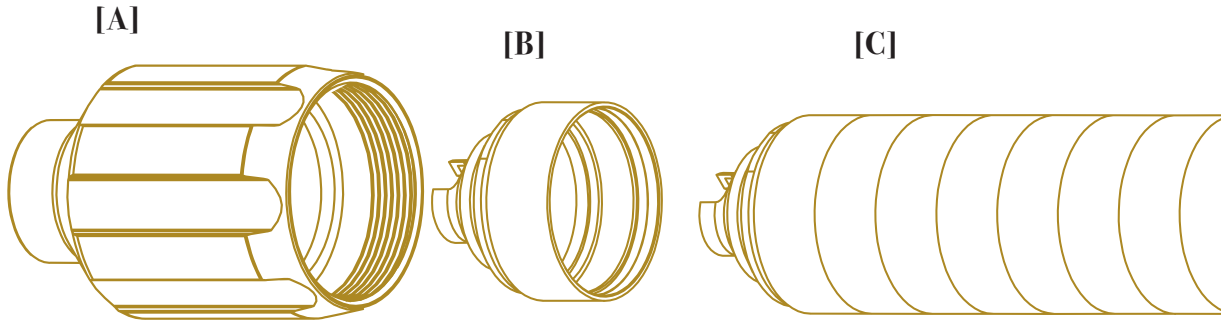
.22lr Sub Sonic

.17HMR

.22WMR

.22 Hornet

5.7x28



Components

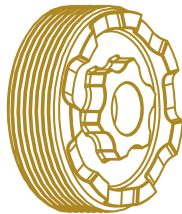
[A] Entrance Cap [C] Baffles (Stacked) [E] Exit Cap
[B] Internal Baffle [D] External Tube



[D]



[E]



Dissassembly

With rimfire rounds becoming more popular the need for a easily assembled and dissassembled suppressor was in need.

Subsonic rimfire rounds are notoriously dirty with suppressors. Creative Arms took that into account with this suppressor by adding interlocking shoulders, effectively keeping

carbon build up contained within the baffle stack. This makes disassembly of the suppressor quick and user friendly. The baffle stack also includes indexing slots to easily align baffles in the correct direction.



Fig. 1

To begin disassembly, remove the Exit Cap from the External Tube. This can be achieved via hand or by utilizing a 10mm wrench.



Fig. 2

Next remove the Entrance Cap from the External Tube. These should be hand tight.

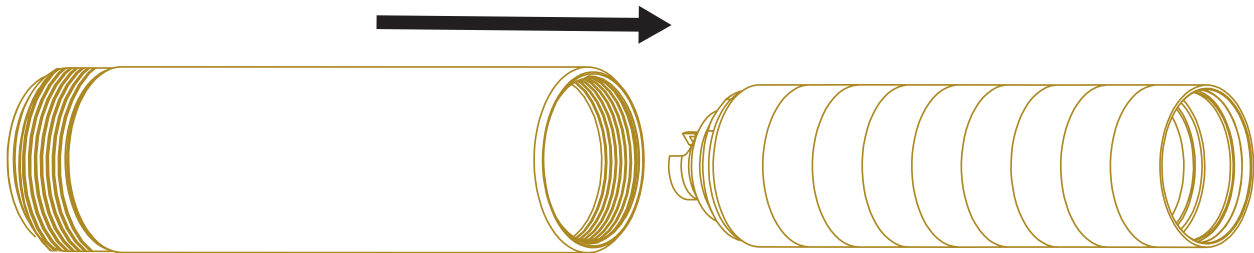


Fig. 3

Once you have removed the Entrance Cap, you can then push the Baffle Stack out of the External Tube.

The Baffle Stack should not need excessive force to be removed.

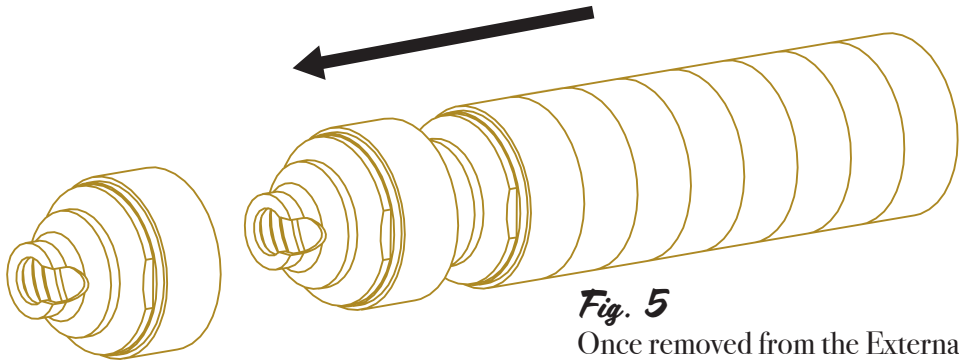


Fig. 5

Once removed from the External Tube, the Baffle Stack will then be able to release from one another into individual Baffles.

Cleaning

The user-serviceability of the Lil' Guy allows end users to quickly and efficiently clean the suppressor and components.

Creative Arms recommends cleaning every 1000 rounds.

External Tube, Entrance & Exit Cap:

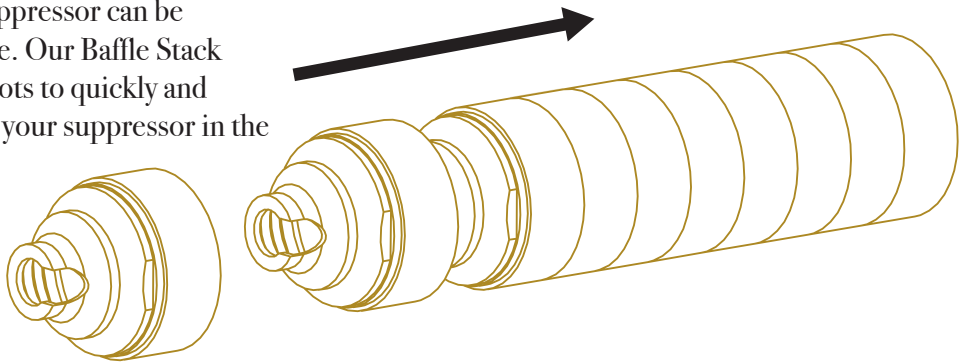
It is recommended to use light oil and a soft plastic bristle brush to clean the External Tube, Entrance and Exit Cap.

Baffle Stack:

Dissassembled the baffle stack can be cleaned with an ultrasonic cleaner, bristle brush or other solvents.

Assembly

Once cleaned, the suppressor can be reassembled with ease. Our Baffle Stack includes alignment slots to quickly and efficiently reassemble your suppressor in the correct alignment.



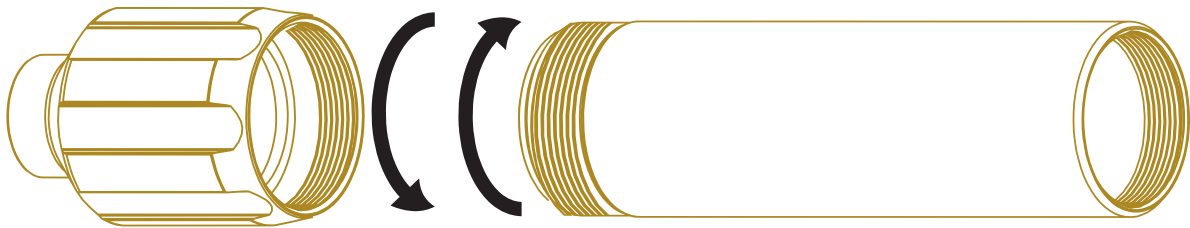


Fig. 2

Thread the Entrance Cap to the External Tube until they shoulder against one another.
(This does not need to be excessively tight)

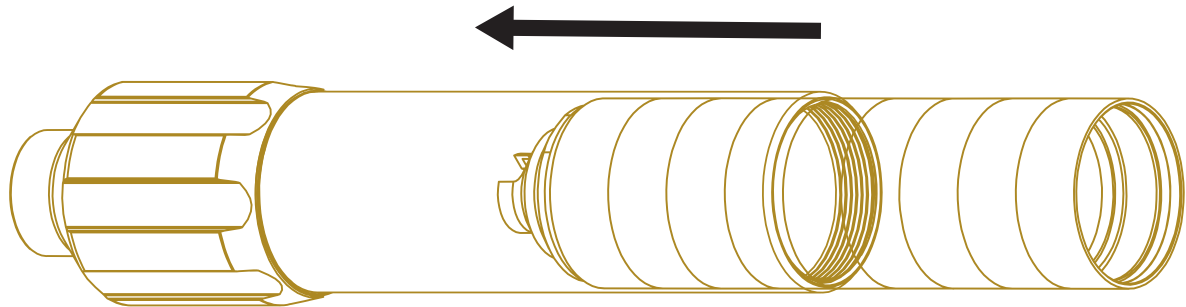


Fig. 3

Once you have tightened the Entrance Cap to the External Tube, slide the Baffle Stack back into the External Tube, make sure it seats

to the bottom of the External Tube. The Baffle Stack will rest against a lip within the Entrance Cap.



Fig. 4

To finish assembly tighten the Exit Cap to the External tube either using your hand until snug or 10mm wrench. *Does not need to be excessively tight*

Lifetime Warranty

Creative Arms, LLC (“Creative Arms”) warrants that if any product manufactured and sold by Creative Arms and used for its intended use ever becomes defective, Creative Arms will repair or replace the product at no charge, other than shipping, subject to the conditions set forth below.

THIS WARRANTY EXTENDS ONLY TO THE ORIGINAL REGISTERED PURCHASER.

This warranty does not cover damage to our products or host firearm resulting from careless or irresponsible handling adjustments or modifications to its intended design, negligence, or other unforeseeable abuse. Creative Arms assumes no liability for unsafe or

illegal use of the silencer by its purchaser or any other user that comes in contact with the product after purchase. Creative Arms assumes no responsibility for physical injury or property damage resulting from careless or irresponsible handling or by any use contrary to the recommendations, warnings and cautions generally listed in the products manual. Creative Arms does not cover damage to the silencer or host firearm resulting from improper “hand-loaded, reloaded, previously used or otherwise defective ammunition.”

THIS WARRANTY IS FURTHER REGULATED BY RELEVANT AND APPLICABLE STATE AND FEDERAL LAWS.

If Creative Arms determines that you satisfy the conditions for warranty coverage under this limited warranty, Creative Arms will, at no charge (other than shipping), replace or repair the Creative Arms product with the same or similar Limited Lifetime Warranty model subject to

the terms herein. If no replacement is available, and Creative Arms determines that the product cannot be repaired, Creative Arms will replace your nonperforming or defective unit with a unit that, in Creative Arms' sole determination, is substantially like your lawfully purchased and registered product. This warranty extends to all parts as originally sold by us but does not extend to any altered product or firearm that is altered or rebuilt after original purchase, damaged through abuse, misuse through lack of proper care and maintenance, or used other than for its legal intended purposes.

CREATIVE ARMS' LIABILITY FOR BREACH OF ANY WARRANTY WITH RESPECT TO A CREATIVE ARMS PRODUCT SHALL BE LIMITED TO REPLACING OR REPAIRING THE NONPERFORMING OR DEFECTIVE PRODUCT AS DESCRIBED IN THIS LIMITED WARRANTY.

THIS LIMITED WARRANTY SHALL BE YOUR SOLE AND EXCLUSIVE REMEDY WITH RESPECT TO A NONPERFORMING OR DEFECTIVE PRODUCT, AND CREATIVE ARMS WILL NOT BE LIABLE FOR ANY OTHER DAMAGES, INCLUDING DIRECT, INCIDENTAL OR CONSEQUENTIAL DAMAGES OR DIMINUTION IN VALUE DUE TO REPAIR OR REPLACEMENT WITH A DIFFERENT PRODUCT.

For warranty claims on suppressors, you must contact our consumer service department at 515-645-5909 or email sales @creativearms.com to request an RMA (return number) and receive return instructions.

About Us

Founded in 2013 by the Folkestad family, Creative Arms LLC. strives to provide high quality firearms & suppressor solutions to the firearms industry. With a mixed team of engineers, designers and avid shooters we understand what shooters want from their rifles and accessories and deliver top of the line

products that meet our ever demanding standards. We are located in Des Moines, IA and all of our products are manufactured here, in the center of the heartland.

Notes





*1430 E. Fleming Ave
Des Moines, IA 50313*